

# RELAY CLASS SPLIT CURRENT TRANSFORMER

## MODELS 2565 & 4011

### General Description

The Models 2565 and 4011 are steel core current transformers rated for C10 thru C400 applications and designed to be mounted over insulated busbars or cables to provide 5A output currents into instrument meters or relays. Installation is done by opening two clamps at the top. Two terminals are provided for mating prepared leads with slip on terminals. The current transformer weighs about 20 pounds.

### SPECIFICATIONS

Input Current Ranges.....50A to 3000A  
 Insulation Level..... 1kV, 10kV BIL Full Wave  
 Frequency.....50/60Hz  
 Thermal Factor.....See Below  
 Operating Temperature Range.....0°C to 105°C  
 Accuracy .....See Below  
 Output Terminals or Leads. Meets IEEE C57.13 Standards

### PART NUMBERS

### MADE IN USA

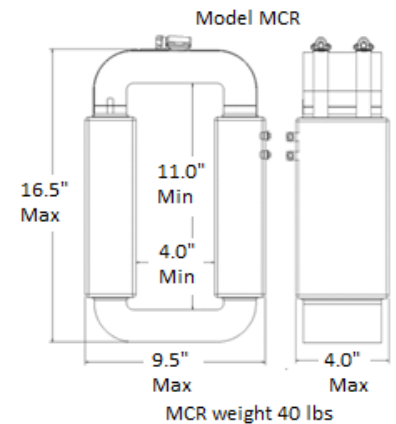
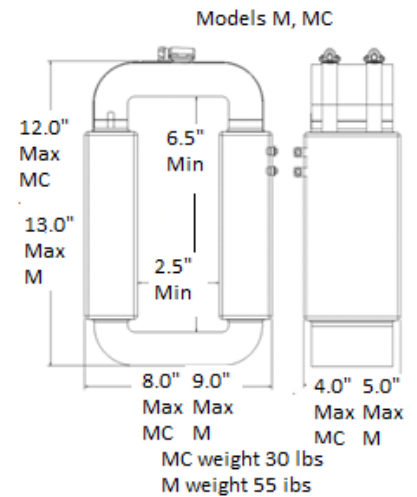
How to Order (UL Available) 2565-XXXX-XXX-X1 (or L)  
 XXXX=RATIO, XXX=RATIO – X, X1 = TERMINALS, L = LEADS



2565			SPECIFICATIONS					
PART NUMBER	CURRENT RATIO	RELAY CLASS	ANSI METERING CLASS AT 60Hz					CONTINUOUS THERMAL RATING FACTOR @30°C
			B0.1	B0.2	B0.5	B0.9	B1.8	
2565-50:5	50/5	C10	~	~	~	~	~	2.0
2565-100:5	100/5	C20	~	~	~	~	~	2.0
2565-200:5	200/5	C20	2.4	~	~	~	~	1.5
2565-300:5	300/5	C30	1.2	~	~	~	~	1.5
2565-400:5	400/5	C50	1.2	~	~	~	~	1.5
2565-600:5	600/5	C75	0.6	~	~	~	~	1.5
2565-800:5	800/5	C100	0.3	0.6	~	~	~	1.5
2565-1000:5	1000/5	C100	0.3	0.3	~	~	~	1.33
2565-1200:5	1200/5	C125	0.3	0.3	0.6	~	~	1.33
2565-1500:5	1500/5	C150	0.3	0.3	0.3	0.6	~	1.33
2565-1600:5	1600/5	C150	0.3	0.3	0.3	0.6	~	1.33
2565-2000:5	2000/5	C200	0.3	0.3	0.3	0.3	0.6	1.33
2565-3000:5	3000/5	C300	0.3	0.3	0.3	0.3	0.3	1.0

4011			SPECIFICATIONS					
PART NUMBER	CURRENT RATIO	RELAY CLASS	ANSI METERING CLASS AT 60Hz					CONTINUOUS THERMAL RATING FACTOR @30°C
			B0.1	B0.2	B0.5	B0.9	B1.8	
4011-600:5	600/5	C75	0.6	~	~	~	~	1.5
4011-800:5	800/5	C100	0.3	0.6	~	~	~	1.5
4011-1000:5	1000/5	C100	0.3	0.3	~	~	~	1.33
4011-1200:5	1200/5	C125	0.3	0.3	0.6	~	~	1.33
4011-1500:5	1500/5	C150	0.3	0.3	0.3	0.6	~	1.33
4011-1600:5	1600/5	C150	0.3	0.3	0.3	0.6	~	1.33
4011-2000:5	2000/5	C200	0.3	0.3	0.3	0.3	0.6	1.33
4011-2500:5	2500/5	C250	0.3	0.3	0.3	0.3	0.3	1.33
4011-3000:5	3000/5	C300	0.3	0.3	0.3	0.3	0.3	1.33
4011-4000:5	4000/5	C300	0.3	0.3	0.3	0.3	0.3	1.0
4011-5000:5	5000/5	C400	0.3	0.3	0.3	0.3	0.3	1.0



May 30, 2019