

Model 4AN4 Split Core Precision Current Transformer

Indoor or Outdoor (if potted) • Meter Accuracy Class 0.2 or 0.1

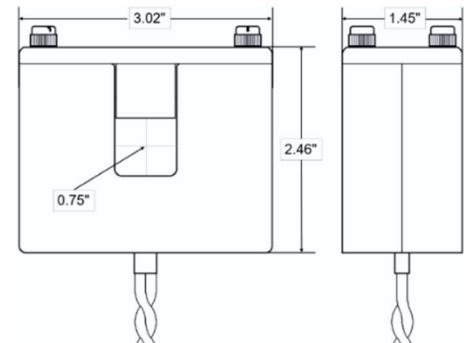
Features Made in USA

- 0.75" ID Window
- Rust Proof Magnetic Core
- Rugged Construction
- Ratio mA or mV AC Output
- Low Phase Displacement
- Several Electrical Outputs



The Model 4AN4 Split Current Transformer is a low AC voltage output transformer designed to simplify the installation over insulated conductors. The transformer core material is special heat-treated core for ultra-precision measurement of AC current. Two knurled screws are used to secure the top after closing. Standard turns ratio is 1250:1 with selected burden resistor. The table below illustrates 333 millivolt output but other internal precision resistors can be used for 100mV to 1000mV outputs.

Input Current.....AC current, sine wave, single phase 50/60Hz
 Voltage Rating.....600VAC, Per ANSI C57.13 BIL 2.5KV AC Full Wave for 60 seconds
 Output Voltage Internal Resistor100mV, 250mV, 333mV, 500mV, 1VAC
 Turns Ratio.....1000:1, 1250:1, 2000:1 or 3000:1 burden resistor called out
 Accuracy, Standard.....Class 0.2 from 1% to 120% per IEC 61869 Table 201
 Accuracy, Optional.....Class 0.1 from 1% to 120% per IEC 61869 Table 201
 Phase Displacement.....0.5° maximum is standard – can be adjusted lower
 Bandwidth.....50Hz and 400Hz
 Phase Relationship...Label points to the current source with positive output on white wire
 Interface Resistance.....Must be 10kΩ or higher
 Temperature Range.....-20°C to 70°C
 Construction.....Plastic PVC OR ABS
 Lead Wires.....8ft. twisted black and white, 18 AWG, UL1015



Standard Part Numbers or Modified Window= 0.75" +/-0.03"

Product Part Number For mV Output Style	Full Load Amps	Output mV	Internal Resistor	Your Meter Input Load must not upset the internal calibration resistor
4AN4-50A:333mV	50	333mV	10 Ω	Minimum Meter Input Resistance >10k
4AN4-100A:333mV	100	333mV	6	Minimum Meter Input Resistance >10k
4AN4-200A:333mV	200	333mV	3	Minimum Meter Input Resistance >10k
4AN4-300A:333mV	300	333mV	3	Minimum Meter Input Resistance >10k
Product Part Number For Turns Ratio Style	FLA	Output mA	N/A	Do Not Exceed 15Vout when selecting your external burden resistor
4AN4-100A:1250:1	100	80 mA	N/A	12.5 Ω = 1VAC Output.
4AN4-125A:1250:1	125	100mA	N/A	10 Ω = 1VAC Output
4AN4-250A:2000:1	250	125mA	N/A	8Ω = 1VAC Output
4AN4-300A:1600:1	300	188mA	N/A	5.5Ω =1VAC Output



Note: R burden = Vout/mA out. Example: 12.5 Ohms = 1Vac out/0.08A

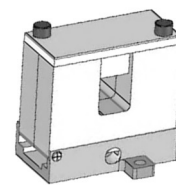
How to Order Non-standard mV Output

4AN4-XXX-YYYY, where XXX = Full Load Amps (125A for example) YYYY= mV Out (250mV for example). Example:4AN4-125A:250mV SentranCorp provides internal resistor for calibrating 250mV.

Oct 20 2020 4AN4 V3



End Mount



Side Mount