

# Model 4AN4

## Precision Current Transformer mVAC Output, 600VAC Rated

- Rust Proof Nickel Core
- Window 0.75", Removable Top
- Select up to 300A
- Meter Accuracy Class 0.2 or 0.1
- Low Phase Displacement
- Meets IEC61869, Table 201



The Model 4AN4 Split Current Transformer is a low AC voltage output transformer designed to simplify the installation over insulated conductors. The transformer core material is extra thick nickel core for ultra-precision measurement of AC current. Two screws are used to secure the top after closing. Standard turns ratio is 1250:1, but other ratios can be provided or we can set an output voltage using an internal.

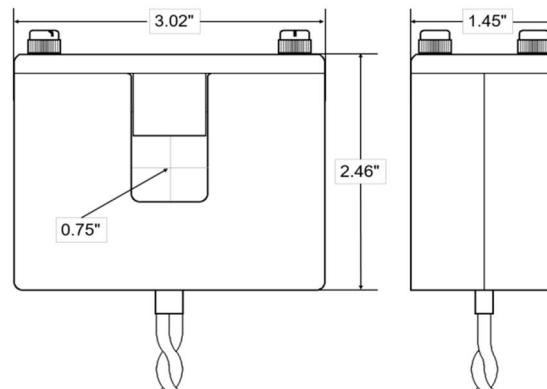
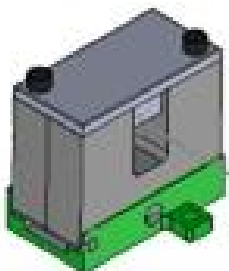
### Specifications:

<b>Input Current</b> .....	AC current, sine wave, single phase 50/60Hz
<b>Voltage Rating</b> .....	600VAC, Per ANSI C57.13 BIL 2.5KV AC Full Wave for 60 seconds
<b>Output Voltage with Internal Resistor</b> .....	100mV, 250mV, 333mV, 500mV, 1VAC
<b>Turns Ratio</b> .....	1000:1, 1250:1, 2000:1 or 3000:1 with external burden resistor
<b>Accuracy, Standard</b> .....	Class 0.2 from 1% to 120% per IEC 61869 Table 201
<b>Phase Displacement</b> .....	0.5° maximum is standard . can be adjusted lower
<b>Bandwidth</b> .....	50Hz and 60Hz
<b>Phase Relationship</b> .....	Label points to the current source with positive output on white wire
<b>Interface Resistance</b> .....	Must be 10k or higher
<b>Temperature Range</b> .....	-20°C to 710°C
<b>Temperature Coefficient/Altitude</b> .....	.55°C ambient and 6,000ft per ANSI C57.13
<b>Construction</b> .....	Plastic PVC
<b>Lead Wires</b> .....	8ft. twisted black and white, 22AWG, UL1015



### Dimensions

Panel Mount



Issue: March 20, 2017