

Model VTA

AC Voltage Sensor

AC To mvAC Voltage Sensor

- Range $\pm 5\%$ of Nominal
- Accuracy Class 1.0
- 250mv To 1VAC Output
- Fast Response Time
- Isolated Transformer (UL)
- Meets UL506
- Line Fuse Option



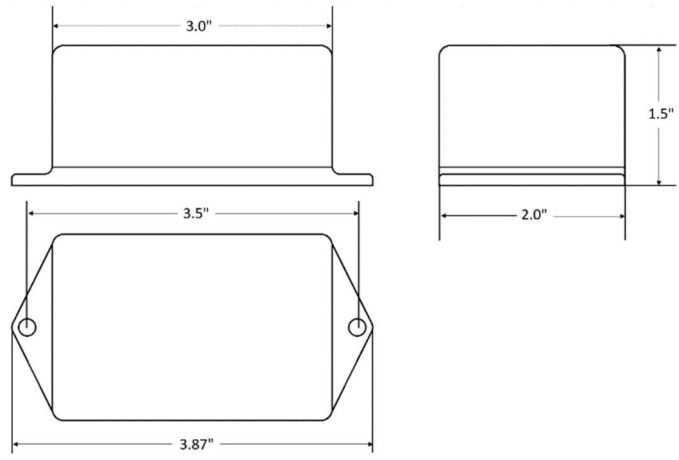
The VTA is a single phase, 50/60Hz VAC voltage sensor that converts an AC voltage to a millivolt AC voltage output that is compatible with many instrument computerized data loggers and energy meters. This allows the instrumentation to measure line voltages for electrical energy and monitoring with isolation (5000V). The overall power consumption is less than 0.05 watt and the low output voltage is set to 0.250VAC, 0.333VAC or 1V as required by customer input requirements.

The unit utilizes UL/VDE internal voltage transformers with an isolation voltage rating of 5000VAC. An In-line fuse holders and fuse is provided for extra safety. The unit can be completely encapsulated for outdoor applications. Input and output connection lead wires are UL1015 rated 600VAC. A precision resistor is connected across the low output voltage to set the output voltage and impedance. UL recognized parts include isolation transformer, input and output lead wires, printed circuit board and housing.

Specifications:

Input Current (select).....240V, 277V, 480V, or 650VAC; 50Hz or 60Hz (must specify)
Output Voltage.....250mVAC, 333mVAC, or 1VAC
Output Resistance.....Approximately 200 Ω
Minimum Required Interface Resistance.....50k Ω
Isolation.....Tested for 5000VAC isolation between input and output
Construction.....ABS black plastic housing
Lead Wires.....Input leads: 3ft. Black/white, rated 5kVDC minimum per UL3239
 Output leads: 3ft. twisted, black/white, 22AWG

PART NUMBERS TO ORDER		OUTPUT millivolts Select	
VTA240-OUTPUT	250	333	1000
VTA277-OUTPUT	250	333	1000
VTA480-OUTPUT	250	333	1000
VTA600-OUTPUT	250	333	1000
VTA650-OUTPUT	250	333	1000



Issue 3112018