

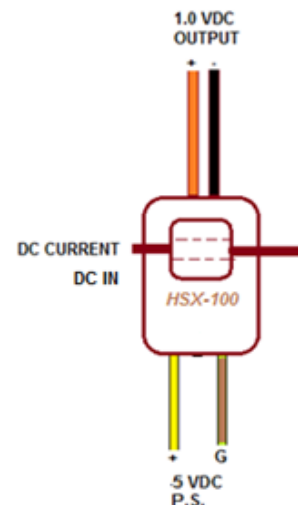
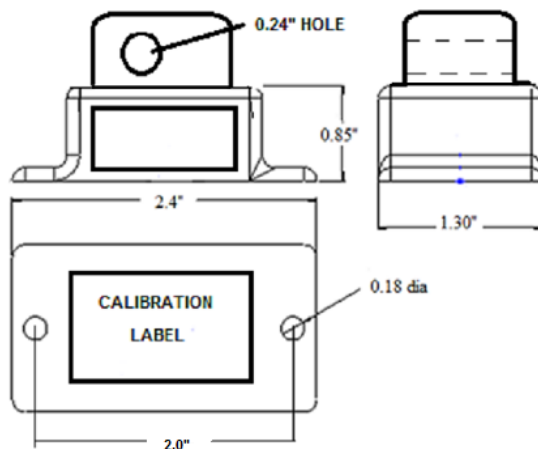
# Model HSX-101-A (Series) DC SENSOR, 1.0 VDC Output Power Supply Required

## Specifications:

- DC Hall Sensor rated 25A Maximum DC Current.
- Output: 1.0VDC at full input current.
- 0.24"(6.36mm) window.
- Unit provided with mounting holes.
- Power Supply rated at 50mA, +5VDC.
- Temperature Range:-40°C to 70°C.
- Response Time: 10uSec.
- Linearity: 1%.
- Accuracy: +/- 2%



HSX-100-XA PART NUMBERS		
Order Number	Input XA	Output
HSX-100-10A	10A	1 Volt DC
HSX-100-15A	15A	1 Volt DC
HSX-100-20A	20A	1 Volt DC
HSX-100-25A	25A	1 Volt DC



Description: The Model Series HSX-100 DC sensor (Hall Sensor) is representative of a new line of DC Current Sensors being introduced for measuring a wide range of current levels. The HSC-100-20A model for example is for 20A and provides a 1.0VDC output. Other ranges are shown in the table above. Custom models will be provided as requested. An external power supply is required and can be ordered along with the sensor.



1545 Commercial St NE, Salem, OR 97301  
1-503-370-7377 sales@sentrancorp.com