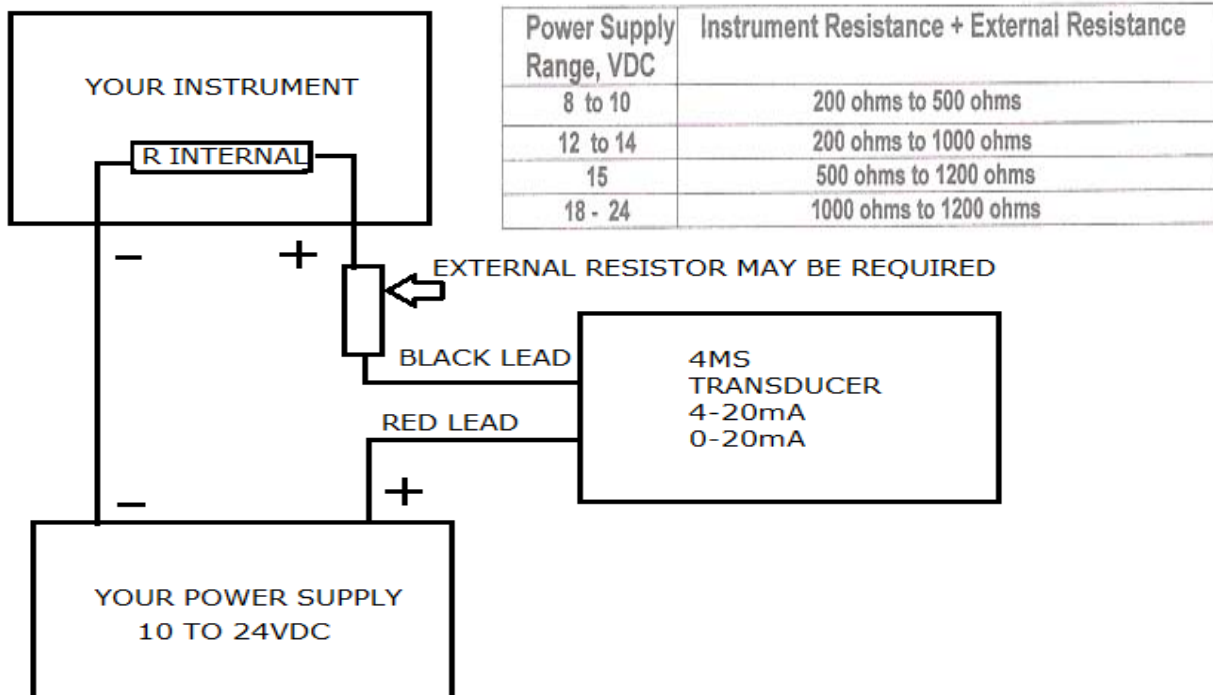


How to Order Custom Made Transducers

Create Your Part Number

How to order: 4MS - Input :
Output - Window
Ex. 4MS-500A:420-3x5

Installation Diagram



Other Styles Available



4MS with Amphenol Connector



4MS with terminals



4MS with tilt top