

**Model LN2F, LN3F, LN4F Class 0.2 High Accuracy Revenue Grade Split Current Transformers**  
**UL Listed UL2808, Over-voltage CAT III, XOBA, Class 0.2, File E361441**

- High Accuracy for Revenue Grade Applications
- 1A to 600A Full Load Amps (FLA) 50/60Hz
- Measurement CAT III / 600V Rated
- Quick One Hand Installation
- Excellent Low Current Sensitivity
- Split Core – "Hinge-Snap" Top
- Accuracy select from options available
- UL Listed to UL 2808 and CSAC22.2 61010-1



Revised October 7, 2016

The Model LNxF series current transformers, Model LN2F, LN3F & LN4F are shrouded with snap, locking tilt top that snap closed. They are UL Listed for field installation under UL2808 and CSA C22.2 No.61010-1. These are Measurement Category CAT III current transformers for building installations over insulated or bare conductors. The LNxF series have also been tested to 100°C for use within Industrial control panels that meet the requirements of UL508. Internal circuitry sets the full scale output voltage up to 1000mV and serves as open circuit shock protection for the installer. Current output ratios up to 333mA are available with internal overvoltage protection. Output leads are black and white twisted pair, double insulated and reinforced machine tool wire, 18AWG UL1015, 600VAC for installation without conduit. Special twisted pair shielded cable is available as an option for noisy environments.

**SPECIFICATIONS:**

Input Current: AC current, sine wave, 50/60Hz (specify)  
 Crest factor: Set to 1.414 times full scale input current  
 Voltage rating: 600VAC rms. CAT III per 61010-1  
 Bandwidth: 40Hz to 400Hz standard  
 Output voltage: 33.3, 50, 100, 250, 333.33, 500, 1000mV  
 Optional output current: up to 0.3333 A. 0.100A typical (\*)  
 Accuracy: 61869, Table 201: +/- 0.5%, phase 30 min FLA (\*\*)  
 (option 1): 61869, Table 201: +/- 0.2%, phase 30 min FLA (\*\*)  
 Output resistance: 5A Input = 340 Ohms down to 10 ohms  
 Interface Resistance of Meters: > 50,000 Ohms or more  
 Temperature range: -40°C to 70°C  
 Altitude: Up to 2000 meters, Pollution degree 3, Humidity up to 95% non-condensing  
 Shorted Leads: Continuous open or short will not harm product  
 Construction: Molded cases 200°C UL recognized plastic  
 Lead wires: 8 feet black and white twisted pair 18 AWG MTW UL1015, 600V, 105°C.  
 Double insulated machine tool wires building installations without conduit, Shielded Cable Option

(\*) Input current and metering may limit options.  
 (\*\*) Conductor located in center and perpendicular through window.  
 (\*\*\*) FLA = Full Load Amps

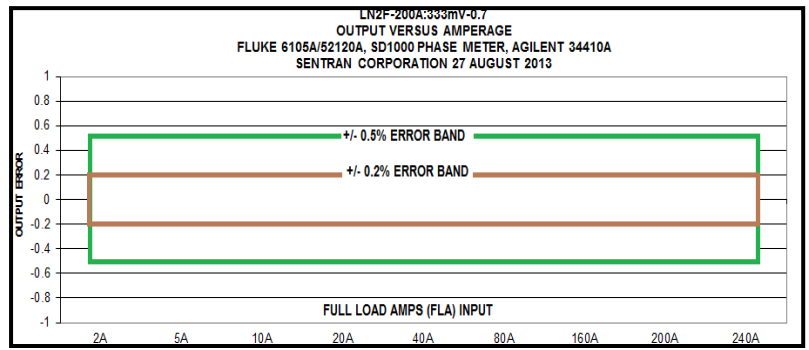
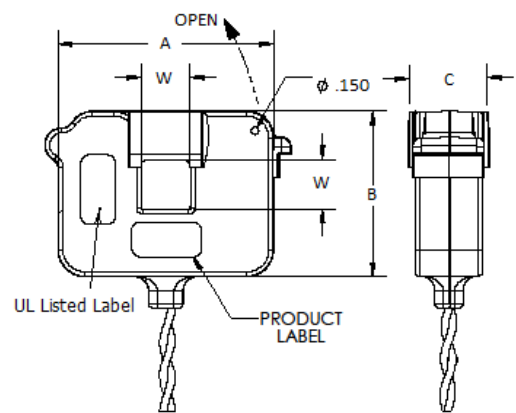


**APPLICATIONS:**

- Revenue Monitoring
- Sub Metering
- Precision Current Sensor
- Current Transformer Testing
- Current Clamps
- High Accuracy Current Sensing
- SCADA
- Energy Monitoring
- Power Quality
- Current Transducer
- Lighting Systems
- Distribution Transformer Monitoring
- Process Control
- Solar Power Systems
- Wind Energy Systems

| (- XX) = Input FLA Amps<br>(- YY) = Output millivolts                    | WINDOW              | A<br>DIMENSION     | B<br>DIMENSION      | C<br>DIMENSION                    |
|--------------------------------------------------------------------------|---------------------|--------------------|---------------------|-----------------------------------|
| LN2F-XX-YY<br>1, 5, 15, 30, 50, 70, 75, 100 AMPS                         | 0.4 in<br>10.17 mm  | 2.4 in<br>60.69 mm | 1.65 in<br>41.91 mm | 0.85 - 1.1 in<br>21.58 - 27.94 mm |
| LN3F-XX-YY<br>15, 20, 30, 50, 75, 100, 150, 200                          | 0.7 in<br>17.80 mm  | 3.0 in<br>76.19 mm | 2.4 in<br>60.96 mm  | 1.1 in<br>27.94 mm                |
| LN4F-XX-YY<br>50, 70, 75, 100, 150, 200, 250, 300,<br>350, 400, 500, 600 | 1.25 in<br>31.75 mm | 3.3 in<br>83.81 mm | 3.1 in<br>78.74 mm  | 1.3 in<br>33.04 mm                |

**"Hinged-Snap" Top**



1545 Commercial St NE, Salem, OR 97301  
 1-503-370-7377 sales@sentrancorp.com