

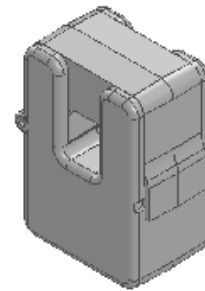
# Model LC 0.3 VERSION

## 0.3" Window Split Current Transformer

+/- 0.5 Accuracy per 60044-1, 600 VAC Rated  
UL Recognized to C57.13-1998/CSA C22 61010-1

Made In America

- Select 1A through 100A input current
- Accuracy +/-0.5 % per 60044-1 Table 11
- Range 1% to 100% of Full Load Amps
- Phase shift < +/-30 Min per 60044-1 Table 11
- Class 105 for 55°C Ambient Temperature
- Rugged Construction: Thick Plastic Snap Lid



UL US  
E318465



### General Description:

The LC current transformer is an indoor AC voltage output transducer designed for installation within breaker panels and industrial control cabinets. The snap top simplifies installation over wire sizes up to 0.3" diameter. The CT is provided with an internal resistor for an AC voltage output signal. Current ratio models are available depending on output current up to 100mA. 8 foot output leads are black and white twisted pair 600V (UL1015) for ACV and ACA output type. Longer lengths are available when ordered.

### Installation Instructions:

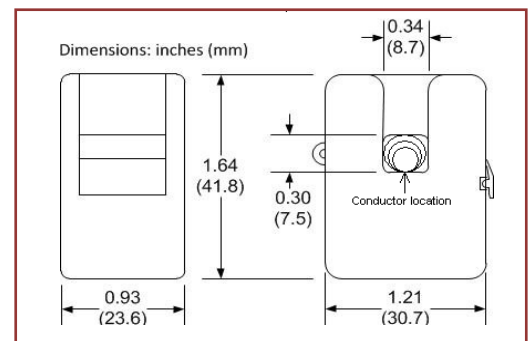
The LC is a single coil CT using a ferrite core. The core faces, when the top is lifted, must be clean of any dirt for the CT to stay within calibration. Due to the "corner affect" of a single coil CT, the conductor passing through the center should be centered and perpendicular to the CT window. You can secure the CT to the center conductor using nylon ties through the window and around the center conductor.

### Applications:

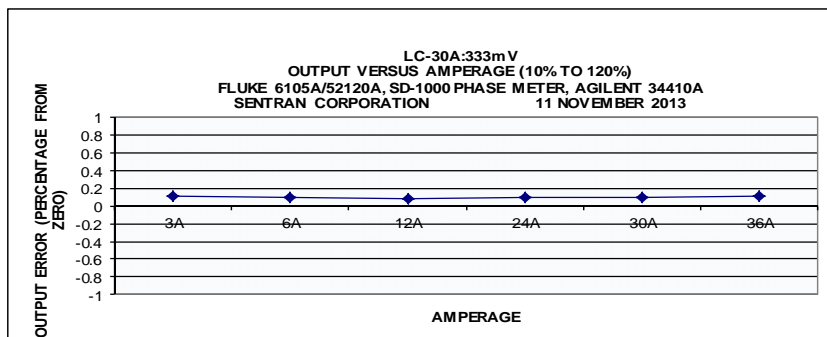
Electrical energy monitoring in residential, commercial and industrial panels, computer centers, secondary metering, motor and power transformer monitoring, solar panel inverter monitoring, supervisory control systems and wind generating systems.

### Specifications:

**Input Current:** ..... AC current, sine wave, single phase 50 or 60Hz (specify)  
**Voltage Rating:** ..... 600Vac, Tested at 2500VAC Full Wave for 60 second  
**AC Voltage Output Type:** ..... 100mV, 250mV, 333mV, 500mV or 1V  
**AC Current Ratio Type:** ..... Ratio for 0.1A standard (contact Sentran Corp)  
**Ratio and Linearity Accuracy:** ..... +/- 0.5% range 5% to 120% per 60044-1  
**Phase Displacement:** ..... < 0.5° at full scale per 60044-1 Table 12  
**Bandwidth:** ..... 50Hz to 400Hz and to 1000Hz on special orders  
**Phase Relationship:** ..... Label points to source for positive output on white wire  
**Interface Resistance:** ... Should be at least 50,000 ohms for ACV & DCV output models  
**Temperature Range:** ..... -20°C to +55°C  
**Continuous Current Rating Factor:** ..... 1.0 or sometimes shown as 1X  
**Short-Time Thermal Current Rating:** ..... 500A for 1s (1A unit worse case, temp < 100°)  
**Construction:** ..... ABS plastic case, weight is 1.6oz  
**Lead Wires:** ..... Twisted pair B/W 22 or R/B (DCV) UL1015, 8ft. standard



Typical Accuracy Curve



Typical Installation

