

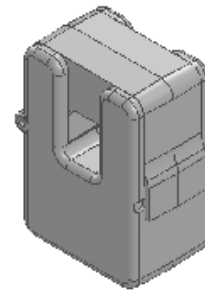
Model LCDC

2.5, 5.0VDC OR 10.0 VDC
Split Current Transformer
0.4" Window, +/- 1.0 Accuracy Rated



1545 Commercial St NE
Salem, Oregon, USA 97301

- Select 1A through 100A = XXX input current
- Accuracy +/-0.5 % per 60044-1 Table 11
- Range 1% to 100% of Full Load Amps
- Phase shift < +/-30 Min per 60044-1 Table 11
- Class 105 for 55°C Ambient Temperature
- Rugged Construction: Thick Plastic Snap Lid



UL US
E318465



The LC current transformer is an indoor AC voltage output transducer designed for installation within breaker panels and industrial control cabinets. The snap top simplifies installation over wire sizes up to 0.4" diameter. The CT is provided with an internal resistor for an AC voltage output signal. Current ratio models are available depending on output current and DCV output type for up to 10VDC. 8 foot output leads are black and white twisted pair 600V (UL1015) for ACV and ACA output type and red and black for the DCV output type. Longer lengths are available when ordered.

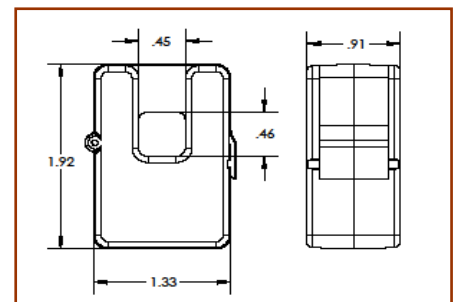
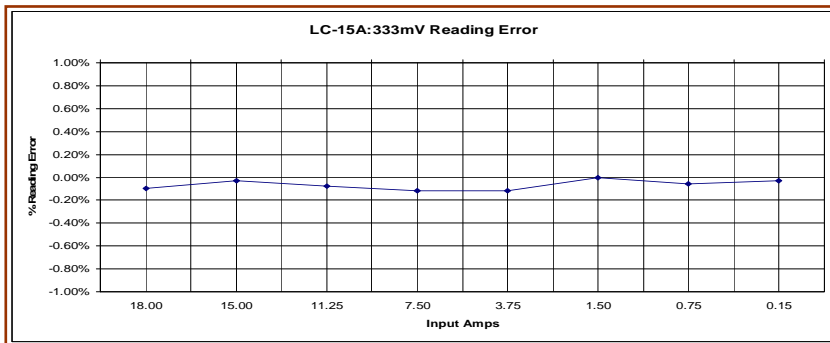
Specifications:

Input Current: AC current, sine wave, single phase 50 or 60Hz (specify)
Voltage Rating: 600Vac, Tested at 2500VAC Full Wave for 60 second
AC Voltage Output Type:100mV, 250mV, 333mV, 500mV or 1V
AC Current Ratio Type: Ratio for 0.1A standard (contact Sentran Corp)
Ratio and Linearity Accuracy: +/- 0.5% range 5% to 120% per 60044-1
Phase Displacement: < 0.5° at full scale per 60044-1 Table 12
Bandwidth: 50Hz to 400Hz and to 1000Hz on special orders
Phase Relationship: Label points to source for positive output on white wire
Interface Resistance: ... Should be at least 50,000 ohms for ACV & DCV output models
Temperature Range: -20°C to +55°C
Continuous Current Rating Factor: 1.0 or sometimes shown as 1X
Short-Time Thermal Current Rating: 500A for 1s (1A unit worse case, temp < 100°)
Construction: ABS plastic case, weight is 1.6oz
Lead Wires: Twisted pair B/W 22 or R/B (DCV) UL1015, 8ft. standard

Typical Installation



Typical Accuracy Curve



Installation Instructions: The LC is a single coil CT using a ferrite core. The core faces, when the top is lifted, must be clean of any dirt for the CT to stay within calibration. Due to the "corner affect" of a single coil CT, the conductor passing through the center should be centered and perpendicular to the CT window. You can secure the CT to the center conductor using nylon ties through the window and around the center conductor.

