

Model 4DS2

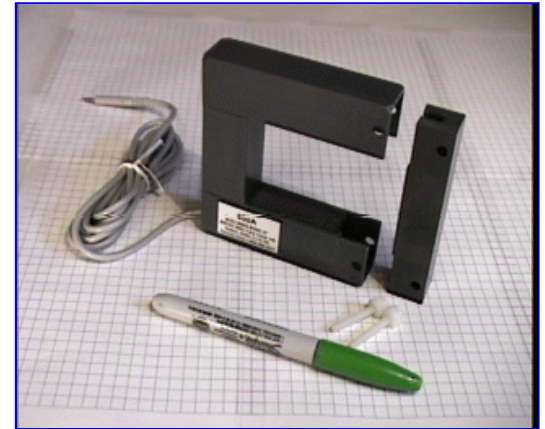
Split AC Current Transducer
2.5 or 5VDC Output
Rugged Construction, 600VAC Rated



SENTRAN
Corporation

4385 Battle Creek Rd SE
 Salem, Oregon USA 97302
 Tel (503)370-7377 Fax (503)566-7604

- 20A to 1500 Amp Input
- VDC Output Proportional to AC Input
- Accuracy +/- 1% at Full Scale
- 0.5" to 3.5" Windows (Select)
- No Power Supply Required
- 0.5% Ripple (Standard)
- ETL Recognized (same as UL recognition)

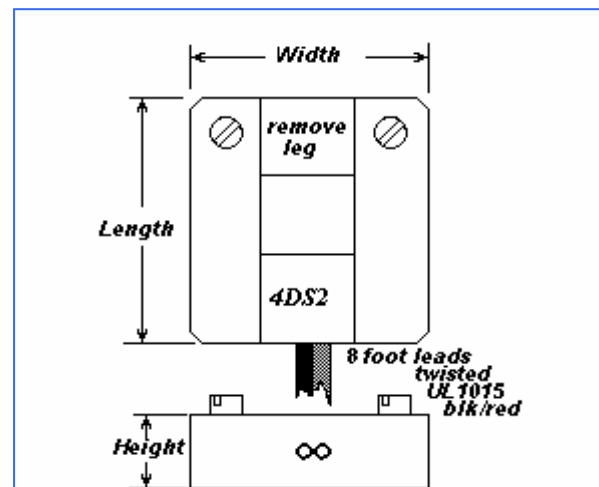


The Model 4DS2 DC Voltage Output Split Current Transformer is an AC current to DC voltage transducer that rectifies 60Hz sinewave current to obtain a DC output. Since only internal passive rectifiers are used (no internal power supply), the conversion to DC is true RMS AC sinewaves only. The output voltage is set to 2.5, 5 or 10VDC at full scale input and is meant to be connected to a high impedance. There is a tradeoff between ripple and response time.

Input Current: AC current, sinewave, single phase 50/60/400Hz.
Voltage Rating: 600Vac tested with 2.5KVDC for 60 seconds
Output Voltage: 2.5, 5.0 or 10.0VDC at Full Range Input . TRUE RMS CONVERSION for AC sinewaves only
Ratio and Linearity Accuracy: +/- 1% from 10% to 100%, +/-3% @ 5% of Full Scale, +/-5% @ 2% of Full Scale
Response Time: Approximately 500 milliseconds from 10% to 90% of amplitude for CT's over 100A (filtered DC)
Ripple: 0.5% is standard, lower at the sacrifice of response time (filtering increases response time)
Bandwidth: 10Hz to 1,000Hz within 3db
Output Resistance: 100 to 3500 Ohms depending on current rating
Interface Resistance: 500KOhms Minimum, other instrument impedances can be interfaced on special orders.
Temperature Effects: Less than 0.05% from -20°C to +50°C
Lead Wires: 8 Foot twisted, Black/Red Per UL1015 , shielded twisted pair available on request
Construction: PVC and/or potted housing for indoor type 1 rating per UL506. Removable Leg - 2 Nylon Screws

How To Order: Create a part number using "4DS2" then input, output & window.
Example: 4DS2-300A:2.5VDC-2.5" is a 300A CT with 2.5VDC output at full scale input and the opening (window) is 2.5".

| Window | Length(*) | Width | Height |
|-------------|-----------|-------|--------|
| .50", 0.75" | 2.4" | 2.6" | 1" |
| 1.0" | 2.8" | 3.3" | 1" |
| 1.25" | 3.2" | 3.5" | 1" |
| .5" | 3.5" | 3.7" | 1" |
| 2.0 | 3.8" | 3.8" | 1" |
| 2.5" | 4.7" | 5.3" | 1" |
| 3.0" | 5" | 5.5" | 1" |
| 3.5" | 5.5" | 5.5" | 1" |



Call 1-888-390-2621
www.sentrancorp.com

Jan 2006